

# Ercolino Grinder

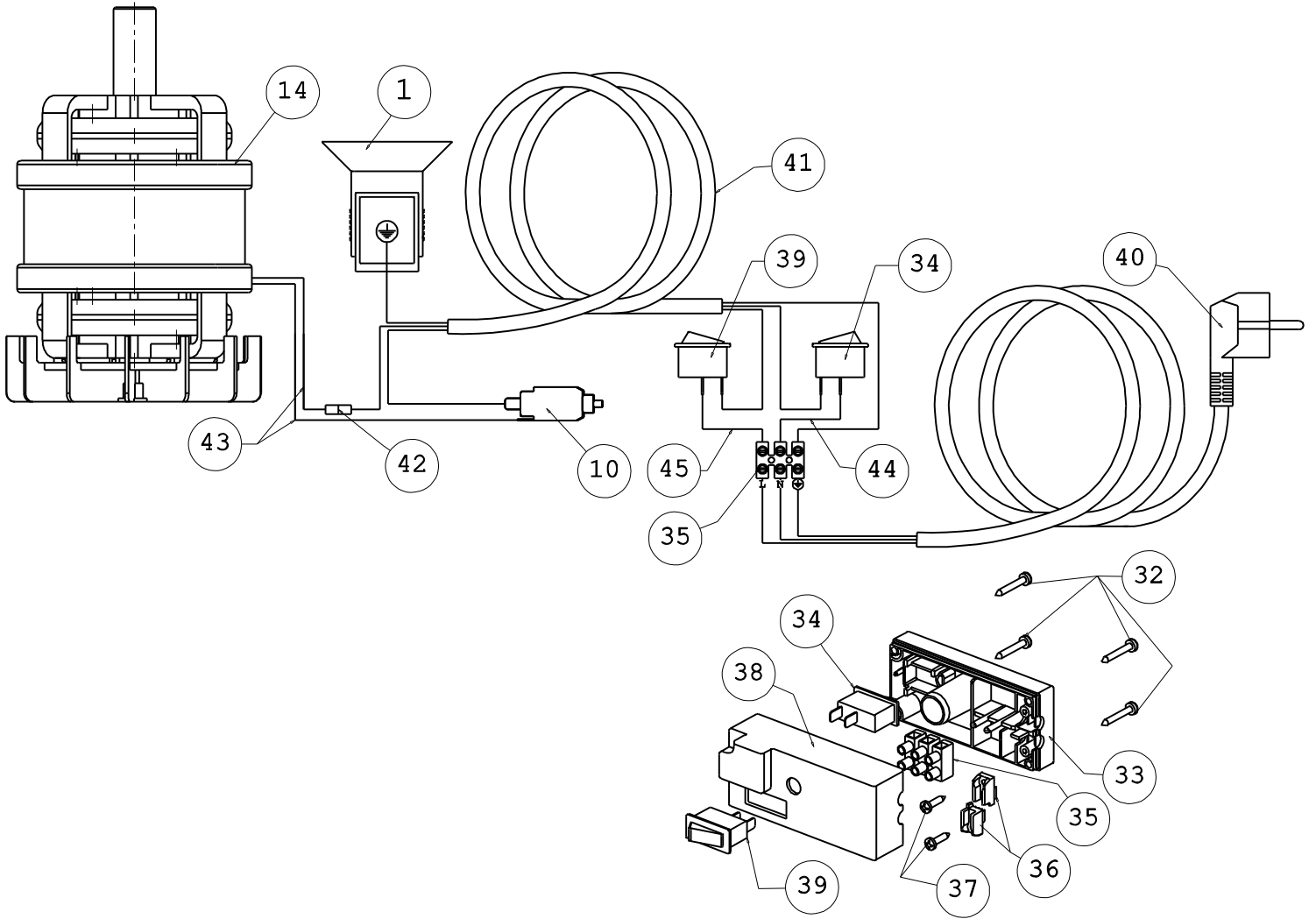
Type of Grain	Sieve Size	lbs ground	time	time in hours	time (hrs) for a bushel	bushel/hr
Corn (56 lbs/bushel)	8	5	18 sec	0.005	0.056	17.86
	6	5	23 sec	0.0064	0.07168	13.95
	4	5	29 sec	0.0081	0.09072	11.02
	2.5	5	1.15 min	0.019	0.2128	4.70
	1	NA				
Beans (60 lbs/bushel)	8	5	20 sec	0.0056	0.0672	14.88
	6	5	29 sec	0.0081	0.0972	10.29
	4	5	51 sec	0.0142	0.1704	5.87
	2.5	5	2.08 min	0.034	0.408	2.45
	1	NA				
Wheat (60 lbs/bushel)	8	5	23 sec	0.0064	0.0768	13.02
	6	5	26 sec	0.0072	0.0864	11.57
	4	5	38 sec	0.011	0.132	7.58
	2.5	5	1.29 min	0.0215	0.258	3.88
	1	NA				

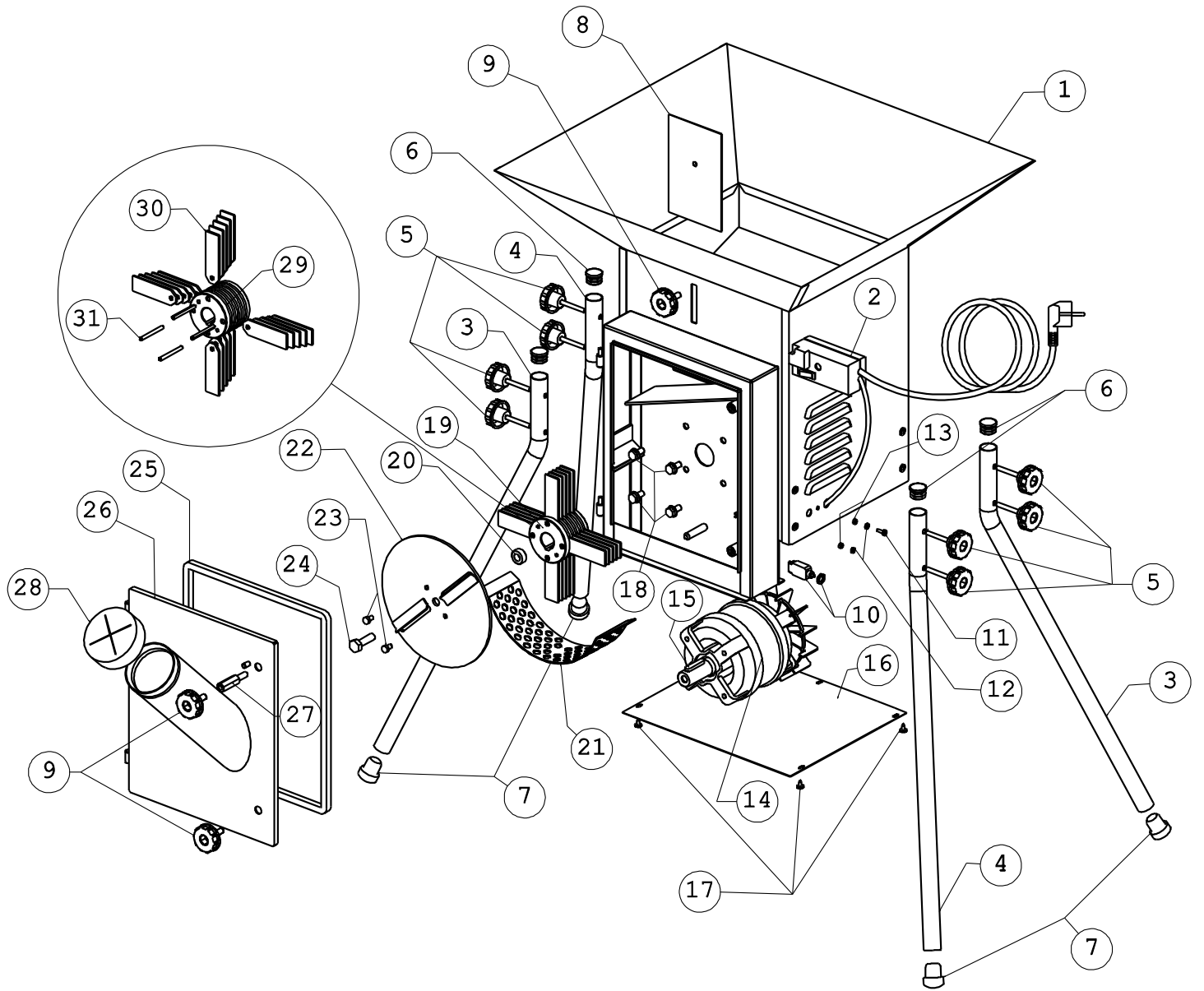


**800-282-6631**  
**[www.premier1supplies.com](http://www.premier1supplies.com)**

Washington, IA

© Copyright 2016, Premier1Supplies. All rights reserved.





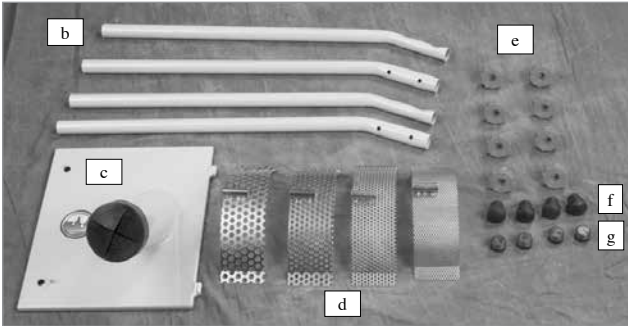
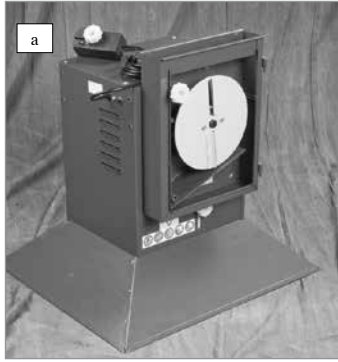
# Ercolino Grinder assembly instructions #530075

800-282-6631 • www.premier1supplies.com • Washington, IA

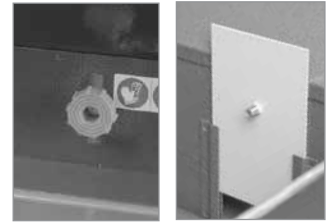


## PARTS

- a. 1 mill with hopper—shown inverted
- b. 4 metal legs
- c. 1 metal door
- d. 4 sieves
- e. 8 knobs
- f. 4 large plugs for bottom legs
- g. 4 small plugs for top legs

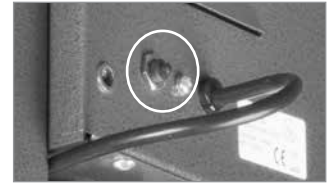


## Trouble shooting:



### Feed flow

Can be controlled by the yellow knob above the door. Loosen and lift on the knob. Tighten when you reach your desired feed flow.



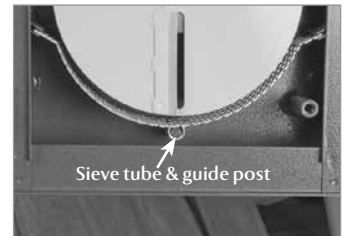
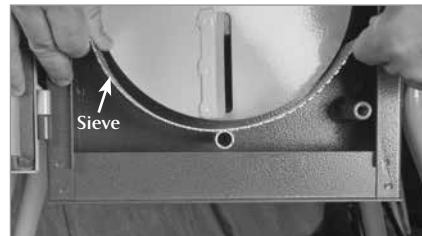
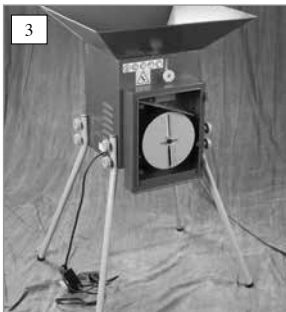
### Electrical system

Can be reset by button near the inlet power cord.

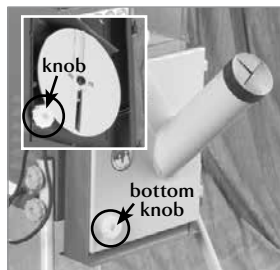
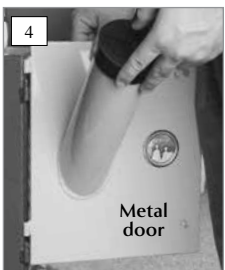


1. Install plugs into the top and bottom of legs (b). Small plugs (g) go into the top. Large plugs (f) go into the bottom.

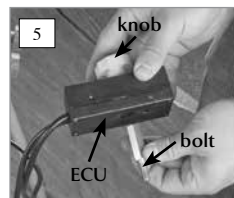
2. With the mill set on the hopper (as shown in letter a. above). Attach the legs via the threaded knobs (e).



3. Set the grinder on its legs. Insert sieve (d) as shown. Ends of sieve fit into the slots on either side of the wheel (as shown). Sieve tube fits over the guide post beneath the wheel.



4. Place metal door (c) on hinges. Unscrew the knob (shown in inset above right). Close the door and fasten a knob into the bottom hole.



5. Take electrical control unit (ECU) and unthread knob and bolt. Thread bolt into the top hole of the door. Place ECU over the bolt and adjacent post. Thread knob onto ECU. **The grinder is ready to use.**