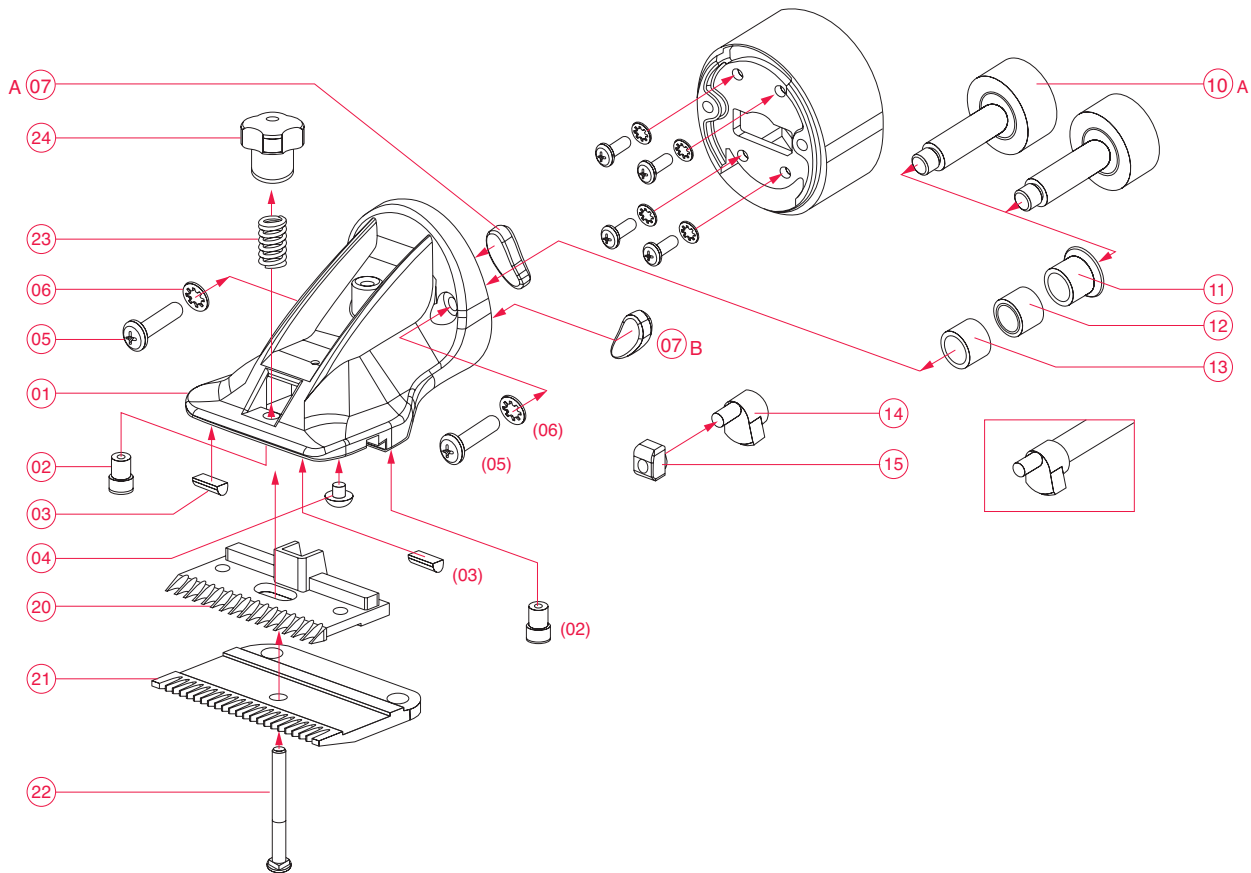


# OLD Clipper Head Parts



Item No.	Part No.	Description	No. Per Set
01	89920010	Clipper head without access	1
02	89900070	Lower blade guides	2
03	89920020	Upper blade guides	2
04	89920200	Blade positioner	1
05	89600120	Screw M5 x 16	2
06	89920430	Tooth disc M5	2
10	89900060	Excenter shaft 31 teeth	1
11	89920070	Excenter bearing with bound	1
12	89920030	Excenter distance 9,8 mm	1
13	89920170	Excenter bearing without bound	1
14	89920040	Excenter head	1
15	89920110	Nylon bush	1
20		Upper blade	1
21		Lower blade	1
22	86831040	Long bolt screw	1
23	89920180	Spring	1
24	89920500	Regulating nut	1